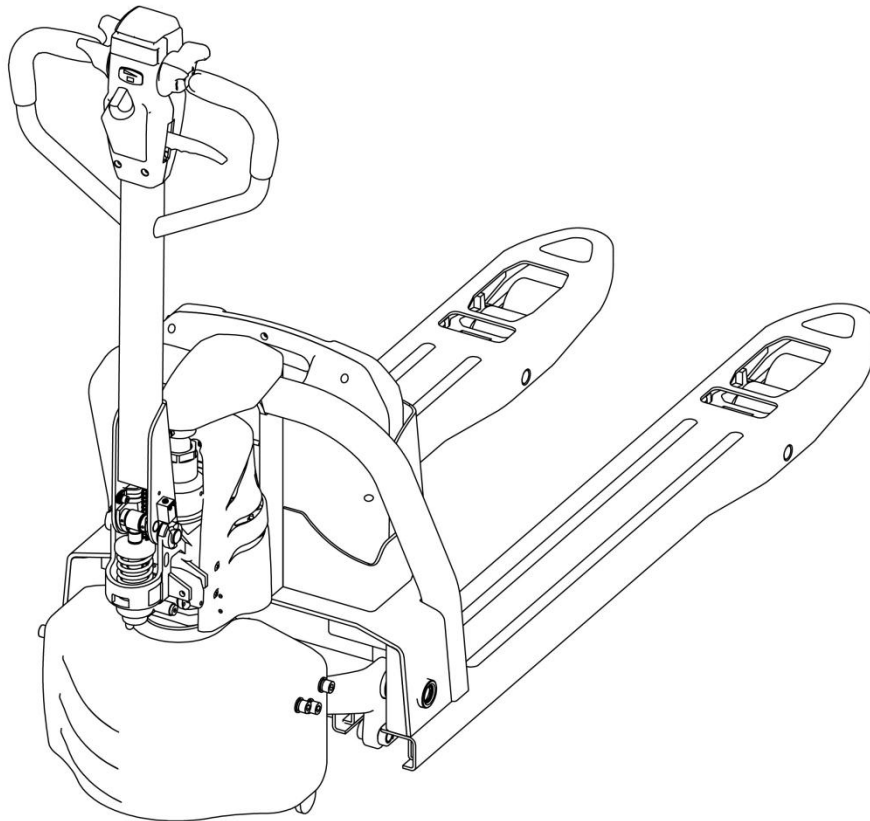

SL15/18L3

Electric pallet truck

电动托盘搬运车（低放手动下降）

Parts list 零件目录



20250321 V09

PARTS ORDERING INSTRUCTIONS

HOW TO ORDER

When you order, supply the part number, quantity, model and serial numbers of your machine. Supplying this information will assure prompt, efficient handing of your order.

Since your dealer carries many parts in stock and maintains up-to-date prices on all parts, he will be able to process your order immediately. If, for some reason, the part is not in stock, he will order it from the factory. In either event, he maintains a current file of service manuals, which give all available parts ordering or technical information.

WHERE TO ORDER

Always order parts from the dealer who sold you your truck. If it is necessary for the dealer to order parts from the factory, he is able to get prompt service for you. Parts are shipped in accordance with shipping instructions given on the order.

INSTRUCTIONS FOR RETURNING PARTS

Under NO CIRCUMSTANCES will parts be accepted at the factory for credit without prior approval. We cannot accept responsibility for parts returned without authorization.

If you have some parts which must be returned, contact your dealer. If he believes parts should be returned, he will arrange for authorization to return the parts.

CHANGES

When changes are made to the machine, revised pages for this manual will be issued. These pages must be inserted in your parts manual as soon as they are received.

Failure to keep your parts manuals up to date will result in confusion and may cause you to order wrong parts.

零件订购说明

如何订购

当您订购的时候，您需要提供叉车零件的编号，数量，型号和序列号。提供这些信息能够保证您的订购更加的高效。

因为您的经销商有很多零件的存货，而且需要保持所有零件的价格是最新的，所以他会尽快地处理您的订购需求。假如因为某些原因，存货中没有这个零件，那么他会从公司订货。无论怎样的情况，他手里都会有一份服务手册文件，它能提供所有可用的零件的订购信息或者技术信息。

订购地点

当您需要订购零件时，请到销售给您叉车的经销商那里订购。如果经销商有必要从公司订购零件，他能为您提供快捷的服务。根据您的订购信息，零件和它对应的操作说明会一起装好。

零件的退还说明

一般情况下，因为信用的关系，退还的零件没有事先的同意，是不会被公司认可的。我们不会对没有经过授权但退还过来的零件负责。

如果您有一些零件一定要退还，请联系您的经销商。若经销商确认零件可以退还，则其会安排授权要退还的零件。

技术修改

当叉车技术有修改时，这本手册的修正页会重新发行。当您拿到这些修正页时，您一定要立即把它们插入到您的零件手册中。若没有及时的更新您的零件手册，则可能会导致您订购、维护等方面的错误。

GENERAL INFORMATION

INDEX

This parts manual is arranged for easy identification of parts .The index at the front of the catalog gives location of major groups and assemblies.

PART LIST

The Item, describes the item on the Figure you are looking at. The Part No. is a numerical description of the item and the part ordering number. The Description is a description of the part number in alphabetical form. The Qty is the quantity used on the machine. The Applied Date is a description when the part is applicable.The Remark is the explanation of the part for a supplement such as the model the capability, the characteristic etc.

HOW TO READ PARTS MANUAL

HELP 1:

Item	Part No	Description	Qty	Applied Date	Remark
------	---------	-------------	-----	--------------	--------

A →

1		02.XDC.3556	Battery	1		24V/20AH
1		02.XDC.3557	Battery	1		24V/30AH
1		02.XDC.3558	Battery	1		24V/40AH
2		03.0132	Screw M5×8	5		

B →

7		03.0245	Nut M12	2		
8		03.04790	Spring	2		
9	01	30.01.6685	Wheel Frame	1	-210125	
9	02	40.11.048	Wheel Frame	1	210125-	

C →

6		02.KSCX.0001	Cover	1		
7		03.0243	Nut M10	2		Cancel
8		40.11.040	Roller	2		
9		03.1088	Bolt M10×60	2		

D →

3		33.054.0001	Frame (550)	1		
3		33.054.0002	Frame (685)	1		
4		03.02393	Screw M6×16	6		
5		40.18.005	Shaft (550)	1		
5		40.15.044	Shaft (685)	1		

E →

6		33.036.0007	Push Rod Welding	2		For 1800Kg
7		03.0691	Bushing Φ19×Φ16×15	4		
8		03.0305	Round Pin Φ5×30	10		

A:The part of Index 1 is Optional.

B:The part of Index 9 has an Applicability, because it's our policy to constantly improve our products.

C:The part of Index 7 indicates that the part is canceled. Note the version number when ordering.

D:The part of Index 3 indicates that the frame welds have different specifications, 550 or 685 indicates the outer width of the forks. Index 5 indicates the parts used for the outer width of the forks.

E:The part of Index 6 indicates that the part is used for model with load capacity of 1800KG.

1. Record by time

- 210125 : Ending on January 25, 2021.

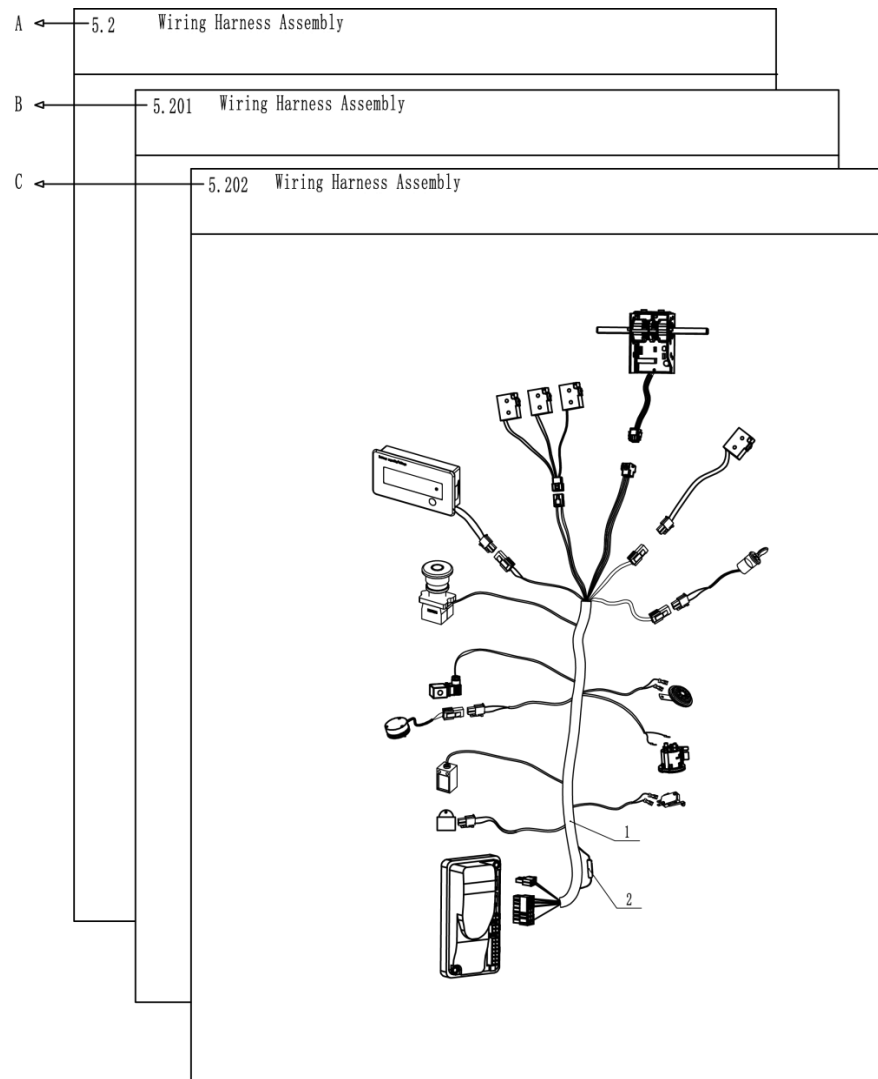
210125- : Beginning on January 25, 2021.

2. Record by serial number

01 : Ending at 01

02 : Starting at 02

HELP 2:



A:Section 5.2 is the original version.

B:Section 5.201 is the version that some parts in the Section 5.2 have been changed.

C:Section 5.202 is the version that some parts in the Section 5.201 have been changed.

When you order, Please locate specific parts information of your truck by the Applied Date of parts in each version.

概要 目录

将零件目录分组成几个易识别的部分，并把主要结构和总成放置在索引目录中。

零件明细表

Item 描述的是在插图上，您想要找的项目。**Part No.**是零件的一系列描述和它的订购号码。**Description** 是用文字的形式描述零件的号码。**Qty** 代表的是零件在叉车上使用的数量。**Applied Date** 表示的是零件适用的时间范围。**Remark** 是用来补充说明零件信息(例如车型、性能和特征等)。

怎么读取零件明目录

帮助 1:

Item 序号	Part No 代码	Description 名称	Qty 数量	Applied Date 适用日期	Remark 备注	
A →	1	02.XDC.3556	Battery 锂电池	1		24V/20AH
	1	02.XDC.3557	Battery 锂电池	1		24V/30AH
	1	02.XDC.3558	Battery 锂电池	1		24V/40AH
	2	03.0132	Screw M5×8 螺钉	5		
B →	7	03.0245	Nut M12 螺母	2		
	8	03.04790	Spring 弹簧	2		
	9	01 30.01.6685	Wheel Frame 轮架	1	-210125	
	9	02 40.11.048	Wheel Frame 轮架	1	210125-	
C →	6	02.KSCX.0001	Cover 前盖板	1		
	7	03.0243	Nut M10 螺母	2		Cancel/取消
	8	40.11.040	Roller 滚子	2		
	9	03.1088	Bolt M10×60 螺栓	2		
D →	3	33.054.0001	Frame(550) 车架	1		
	3	33.054.0002	Frame(685) 车架	1		
	4	03.02393	Screw M6×16 螺钉	6		
	5	40.18.005	Shaft(550) 支撑轴	1		
	5	40.15.044	Shaft(685) 支撑轴	1		
E →	6	33.036.0007	Push Rod Welding 推杆	2		For 1800Kg
	7	03.0691	BushingΦ19×Φ16×15 复合套	4		
	8	03.0305	Round PinΦ5×30 弹性圆柱销	10		

A: 序号 1 表示该零件有几个品种可供您的选择。

B: 序号 9 表示该零件有一个适用的时间范围。这是因为我们在不断地进行产品的升级。

C: 序号 7 表示该零件取消，订购时注意版本号。

D: 序号 3 表示车架焊接体有不同的规格，550 或 685 表示货叉的外宽。序号 5 表示配用于货叉外宽的零部件。

E: 序号 6 表示该零件配用载重 1800KG 车型。

1. 用时间记录

- **210125** : 截止到 2021 年 01 月 25 日

210125- : 起始于 2021 年 01 月 25 日

2. 用序列号记录

01 : 截止序列号 01

02 : 起始序列号 02

Index 目录

1. Frame System 车身系统

1.1 Frame System 车架系统.....	1
1.2 Connecting Rod Rocker Assembly(Double Wheel)连杆摇臂组件（双轮）	2
1.3 Connecting Rod Rocker Assembly 连杆摇臂组件（双轮 双面托盘）	3
1.4 Connecting Rod Rocker Assembly(Single Wheel)连杆摇臂组件（单轮）	4
1.5 Connecting Rod Rocker Assembly 连杆摇臂组件（单轮 双面托盘）	5
1.6 Cover Assembly 外罩总成.....	6

2. Driving System 驱动系统

2.101 Driving System 驱动系统.....	7
2.201 Driving System(For Caster Assembly)驱动系统(带辅助轮).....	8
2.301 Driving Assembly 驱动总成.....	9
2.4 Caster Assembly 辅助轮组件.....	11

3. Operating System 操作系统

3.102 Operating Handle Assembly 操作手柄组件.....	12
3.201 Control Pod Assembly 手柄头总成.....	14

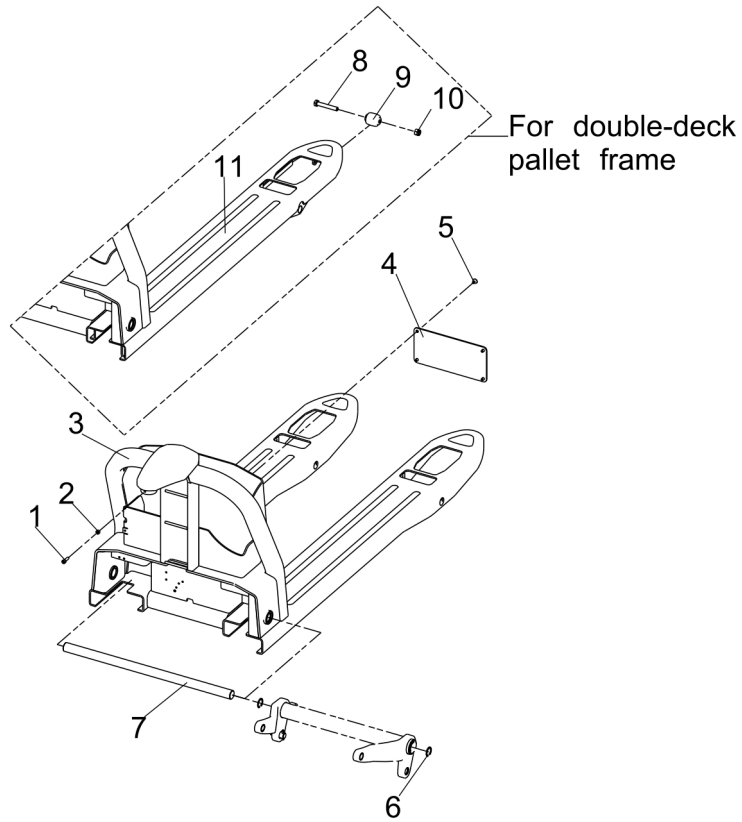
4. Hydraulic System 液压系统

4.101 Hydraulic System 液压系统.....	16
4.201 Power Unit Assembly 动力单元组件.....	17
4.3 Lifting Cylinder 起升油缸.....	18
5. Electric System 电气系统	
5.101 Electric System 电气系统.....	20
5.2 Wiring Harness Assembly 线束总成 1212C-2571.....	22
5.3 Wiring Harness Assembly 线束总成 D2P-2101.....	23
5.4 Cable Assembly 电缆总成.....	24

修订记录

版 本	修订人	更改编号	修订事项
20250213 V08	朱阳敏	NO. 2024246	①： 2. 101 代码 52101000052 驱动总成更改为 52101000113 驱动总成； ②： 2. 201 代码 52101000052 驱动总成更改为 52101000113 驱动总成； ③： 2. 301 代码 52101000052 驱动总成更改为 52101000113 驱动总成， 代码 30601050004 平键销更改为 30601050006 平键销， 代码 52201150006 传动齿轮更改为 52201150011 传动齿轮， 代码 52202120004 被动斜齿轮更改为 52202120013 被动斜齿轮， 代码 30701017001 轴承更改为 30701017003 轴承， 代码 52105000005 齿轮箱更改为 52105000067 齿轮箱。 ④： 3. 102 新增代码 20371025010 指状把手拉杆组件。
20250321 V09	莫敏萍	No. 2025090	4. 101 中 40401024074 动力单元更改为 40401024003 动力单元； 4. 201 中 40401024074 动力单元更改为 40401024003 动力单元； 70402000008 提升电机更改为 70402000014 提升电机； 取消 40411000084 联轴器；

1.1 Frame System
车架系统



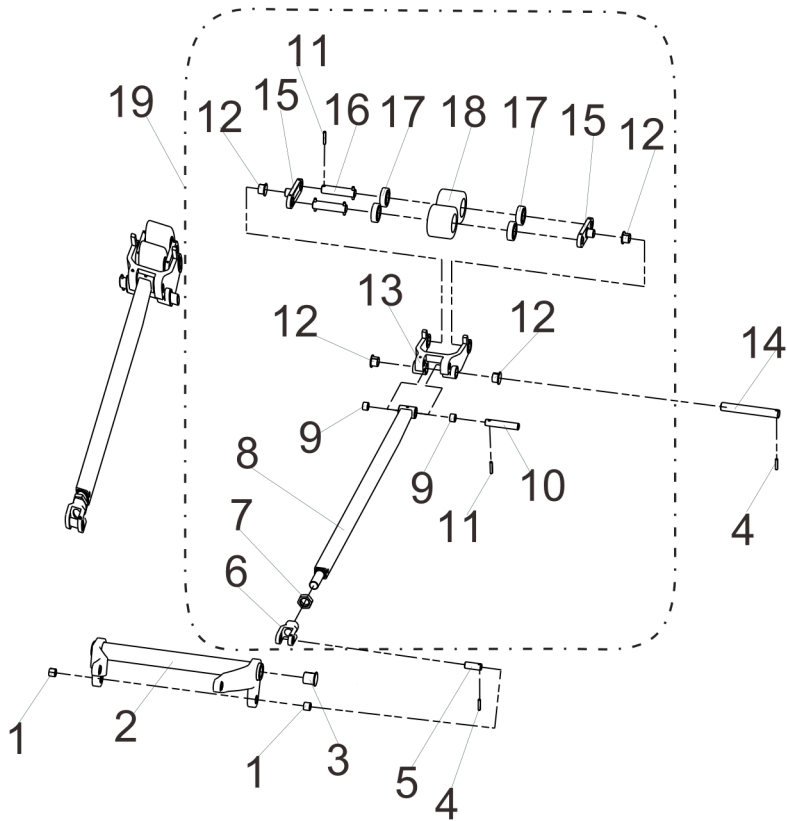
Note 1: Item 3 is the lowest height of forks (to the ground), 75mm, 65mm are available. 注释 1: 序号 3 为车架的货叉离地高度, 有 75mm, 65mm。

Note 2: Item 8, 9, 10, 11 Used for double-sided pallet frame.

注释 2: 序号 8, 9, 10, 11 用于双面托盘车架。

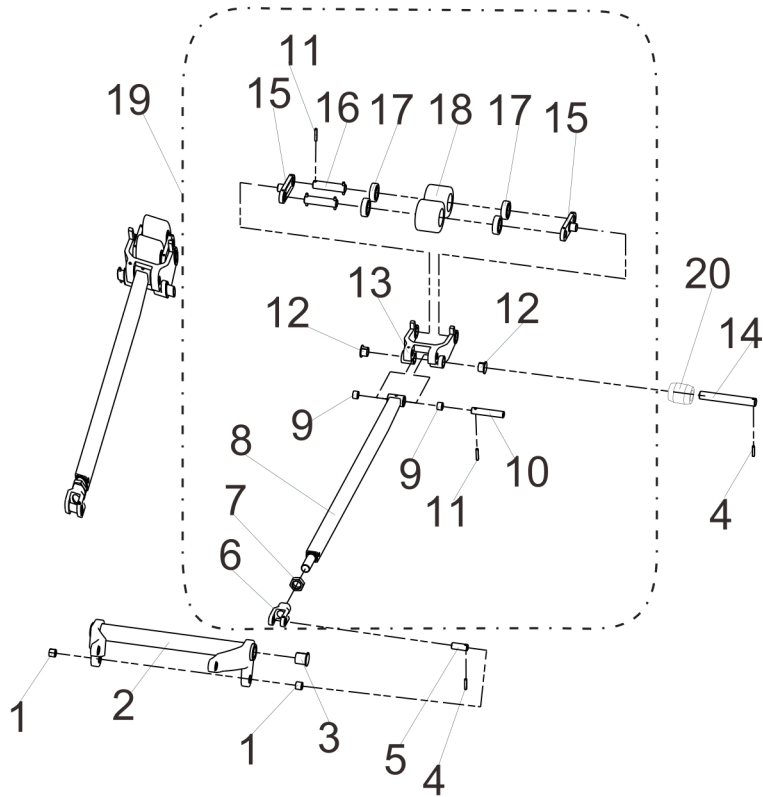
Item 序号	Part No. 代码	Description 名称	Qty 数量	Applied Date 适用日期	Remark 备注
1	30201060021	Screw M6×20 螺钉	1		03. 0149
2	30301060001	Nut M6 螺母	1		03. 0257
3	20101010771	Frame (550) 车架 (H=75mm)	1		
3	20101010770	Frame (685) 车架 (H=75mm)	1		
3	20101010810	Frame (550) 车架 (H=65mm)	1		
3	20101010814	Frame (685) 车架 (H=65mm)	1		
4	20201000738	Front Seal Plate 前封板	1		40. 14. 049
5	30251050014	Screw M5×10 螺钉	4		03. 0082
6	30421250002	Cir clips For Hole Φ25 孔用挡圈	2		03. 0024
7	50101250013	Shaft (550) 支撑轴	1		40. 14. 050
7	50101250006	Shaft (685) 支撑轴	1		40. 11. 035
8	30101100049	Bolt M10×65 螺栓	1		03. 0383
9	51108000013	Roller 滚子 (H=75mm)	1		40. 11. 040-2
10	30311100001	Nut M10 螺母	1		03. 0243
11	20101010786	Frame (550) 车架 (H=75mm)	1		
11	20101010790	Frame (685) 车架 (H=75mm)	1		

1.2 Connecting Rod Rocker Assembly(Double Wheel)
 连杆摇臂组件（双轮）



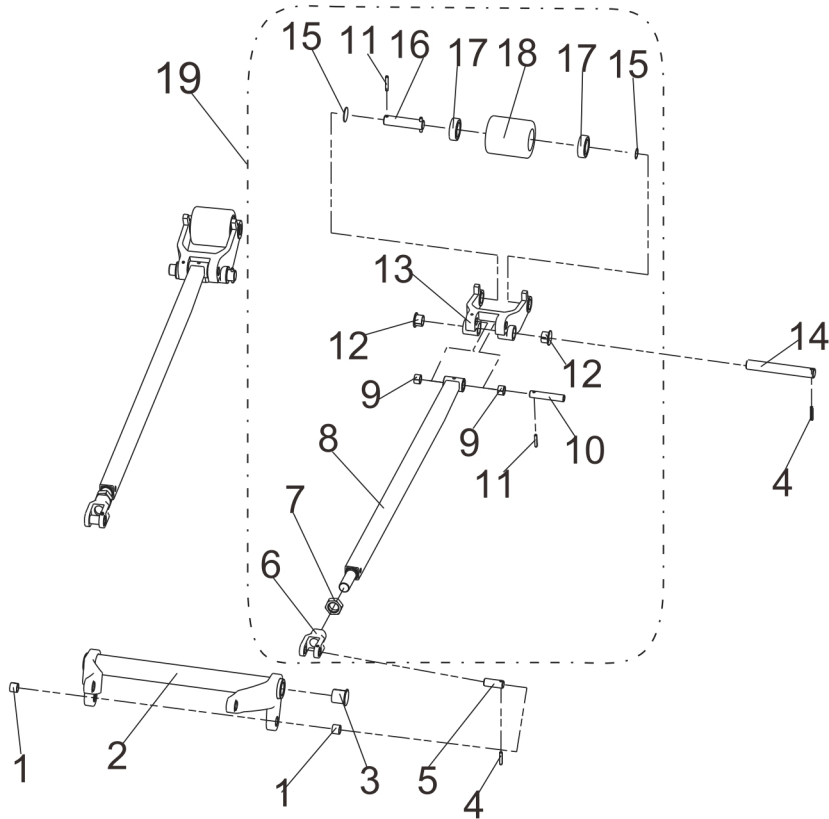
Item 序号	Part No. 代码	Description 名称	Qty 数量	Applied Date 适用日期	Remark 备注
A	20302020210	Connecting Rod Rocker arm Assembly 连杆摇臂组件	2		
1	54002000017	Bushing $\Phi 19 \times \Phi 16 \times 15$ 复合套	4		03.0691
2	55102000106	Ring Rod (550) 圆环棒 (H=75mm)	1		33.050.0012
2	55102000108	Ring Rod (685) 圆环棒 (H=75mm)	1		33.050.0013
2	55102000070	Ring Rod (550) 圆环棒 (H=65mm)	1		
2	55102000071	Ring Rod (685) 圆环棒 (H=65mm)	1		
3	54001000003	Bushing $\Phi 28 \times \Phi 25 \times 27$ 带肩复合套	2		03.04422
4	30501050008	Round Pin $\Phi 5 \times 30$ 弹性圆柱销	4		03.0305
5	50101160009	Shaft 小轴	2		40.14.052
6	55502000003	Push Rod Bracket 推杆叉	2		40.14.048
7	30301220002	Nut M22 \times 1.5 螺母	2		03.0286
8	55501000186	Push Rod Welding 推杆 (H=75mm)	2		
8	55501000102	Push Rod Welding 推杆 (H=65mm)	2		
9	54002000024	Bushing $\Phi 19 \times \Phi 16 \times 12$ 复合套	4		03.0451
10	50101160004	Shaft 推杆安装轴	2		40.11.038
11	30501050003	Round Pin $\Phi 5 \times 35$ 弹性圆柱销	10		03.0303
12	54001000009	Bushing $\Phi 23 \times \Phi 20 \times 16.5$ 带肩复合套	8		03.0453
13	55103000011	Wheel Bracket 轮架 (H=75mm)	2		
13	55103000012	Wheel Bracket 轮架 (H=65mm)	2		
14	50101200055	Shaft 轮架安装轴	2		
15	51251000014	Bracket 连板	4		30.01.1290
16	50101200008	Shaft 承载轮销轴	4		40.11.039
17	30701020003	Bearing 6904 轴承 (H=75/65mm)	8		03.90.005
18	51241000031	Loading Wheel 承载轮 (H=75mm)	4		02.LZ.01261
18	51241000028	Loading Wheel 承载轮 (H=65mm)	4		02.LZ.0126
19	20302020211	Double Wheel linkage wheel Frames 双轮连杆轮架	2		

1.3 Connecting Rod Rocker Assembly
 连杆摇臂组件(双轮 双面托盘)



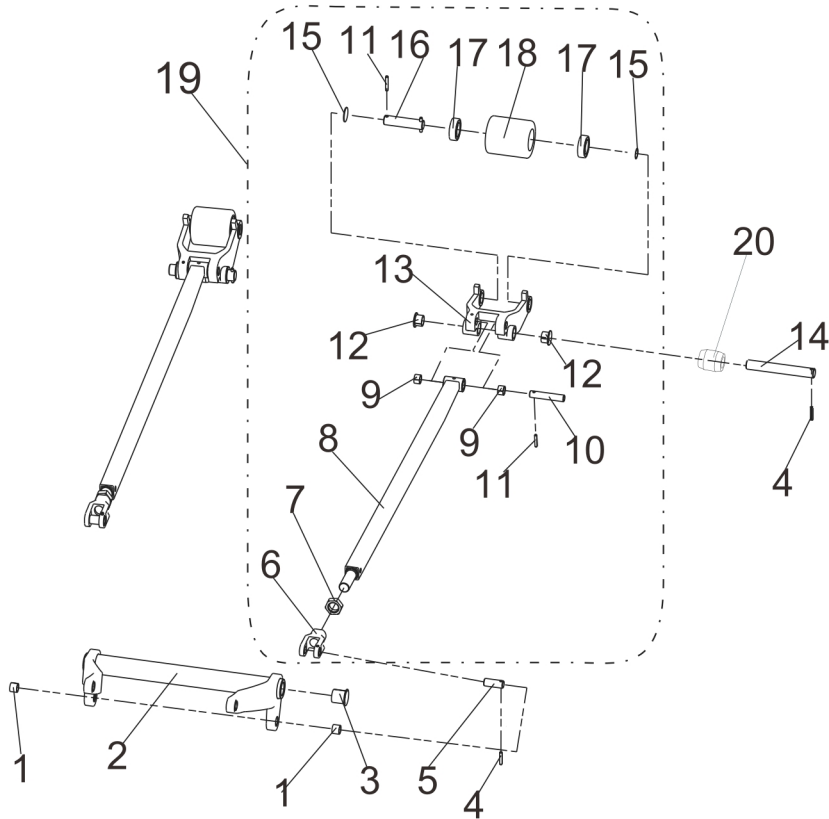
Item 序号	Part No. 代码	Description 名称	Qty 数量	Applied Date 适用日期	Remark 备注
A	20301020797	Connecting Rod Rocker arm Assembly 连杆摇臂组件	2		
1	54002000017	Bushing $\Phi 19 \times \Phi 16 \times 15$ 复合套	4		03.0691
2	55102000106	Ring Rod (550) 圆环棒(H=75mm)	1		33.050.0012
2	55102000108	Ring Rod (685) 圆环棒(H=75mm)	1		33.050.0013
3	54001000003	Bushing $\Phi 28 \times \Phi 25 \times 27$ 带肩复合套	2		03.04422
4	30501050008	Round Pin $\Phi 5 \times 30$ 弹性圆柱销	4		03.0305
5	50101160009	Shaft 小轴	2		40.14.052
6	55502000003	Push Rod Bracket 推杆叉	2		40.14.048
7	30301220002	Nut M22 $\times 1.5$ 螺母	2		03.0286
8	55501000186	Push Rod Welding 推杆(H=75mm)	2		
9	54002000024	Bushing $\Phi 19 \times \Phi 16 \times 12$ 复合套	4		03.0451
10	50101160004	Shaft 推杆安装轴	2		40.11.038
11	30501050003	Round Pin $\Phi 5 \times 35$ 弹性圆柱销	10		03.0303
12	54001000009	Bushing $\Phi 23 \times \Phi 20 \times 16.5$ 带肩复合套	4		03.0453
13	55103000011	Wheel Bracket 轮架(H=75mm)	2		
14	50101200004	Shaft 轮架安装轴	2		40.11.036
15	51251000014	Bracket 连板	4		30.01.1290
16	50101200008	Shaft 承载轮销轴	4		40.11.039
17	30701020003	Bearing 6904 轴承(H=75mm)	8		03.90.005
18	51241000031	Loading Wheel 承载轮(H=75mm)	4		02.LZ.01261
19	20301020798	Double Wheel linkage wheel Frames 双轮连杆轮架	2		
20	51108000016	Roller 滚子	2		40.11.041

1.4 Connecting Rod Rocker Assembly(Single Wheel)
 连杆摇臂组件（单轮）



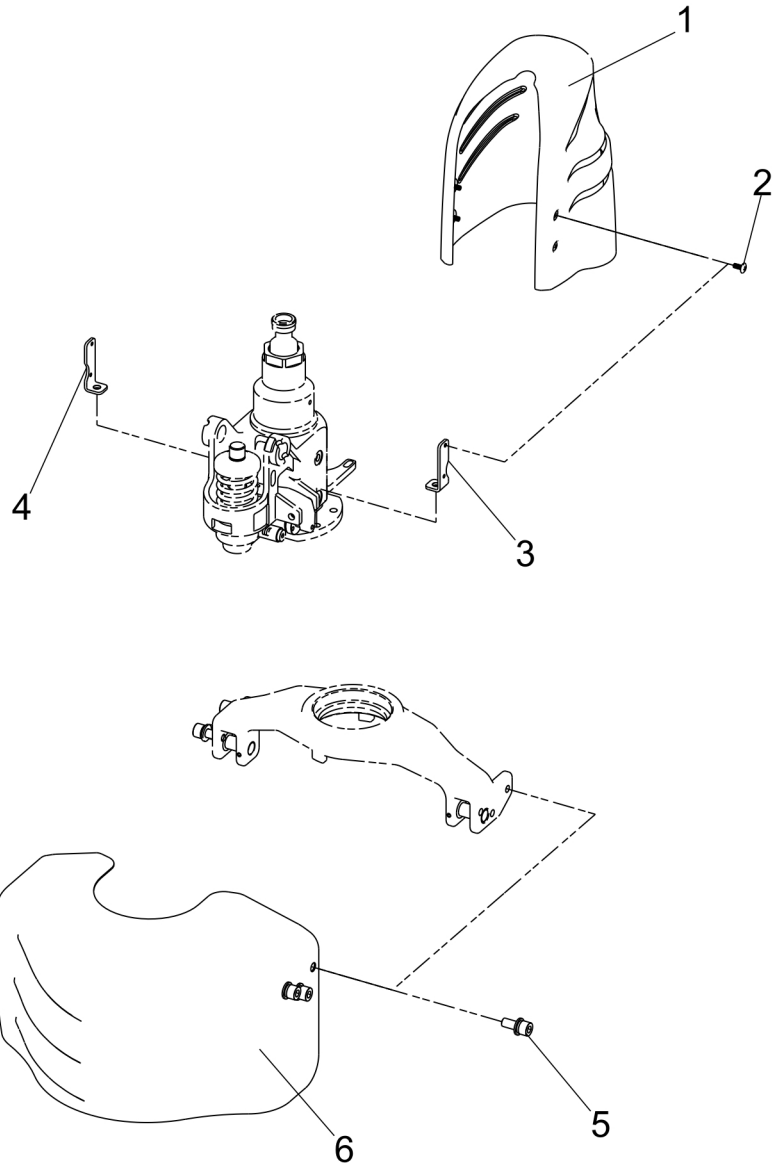
Item 序号	Part No. 代码	Description 名称	Qty 数量	Applied Date 适用日期	Remark 备注
A	20302020212	Connecting Rod Rocker arm Assembly 连杆摇臂组件	2		
1	54002000017	Bushing $\Phi 19 \times \Phi 16 \times 15$ 复合套	4		03.0691
2	55102000106	Ring Rod (550) 圆环棒 (H=75mm)	1		33.050.0012
2	55102000108	Ring Rod (685) 圆环棒 (H=75mm)	1		33.050.0013
2	55102000070	Ring Rod (550) 圆环棒 (H=65mm)	1		
2	55102000071	Ring Rod (685) 圆环棒 (H=65mm)	1		
3	54001000003	Bushing $\Phi 28 \times \Phi 25 \times 27$ 带肩复合套	2		03.04422
4	30501050008	Round Pin $\Phi 5 \times 30$ 弹性圆柱销	4		03.0305
5	50101160009	Shaft 小轴	2		40.14.052
6	55502000003	Push Rod Bracket 推杆叉	2		40.14.048
7	30301220002	Nut M22 \times 1.5 螺母	2		03.0286
8	55501000186	Push Rod Welding 推杆 (H=75mm)	2		
8	55501000102	Push Rod Welding 推杆 (H=65mm)	2		
9	54002000024	Bushing $\Phi 19 \times \Phi 16 \times 12$ 复合套	4		03.0451
10	50101160004	Shaft 推杆安装轴	2		40.11.038
11	30501050003	Round Pin $\Phi 5 \times 35$ 弹性圆柱销	4		03.0303
12	54001000009	Bushing $\Phi 23 \times \Phi 20 \times 16.5$ 带肩复合套	4		03.0453
13	55103000006	Wheel Bracket 轮架 (H=75mm)	2		40.11.037-2
13	55103000014	Wheel Bracket 轮架 (H=65mm)	2		40.11.089
14	50101200055	Shaft 轮架安装轴	2		
15	50301200019	Washer 垫圈	Req.		03.0950
16	50101200019	Shaft 承载轮销轴	2		30.01.3629
17	30701020007	Bearing 6204 轴承 (H=75mm)	4		03.90.057
17	30701020003	Bearing 6904 轴承 (H=65mm)	4		03.90.005
18	51241000132	Loading Wheel 承载轮 (H=75mm)	2		
18	51241000102	Loading Wheel 承载轮 (H=65mm)	2		
19	20302020213	Single Wheel linkage wheel Frames 单轮连杆轮架	2		

1.5 Connecting Rod Rocker Assembly
 连杆摇臂组件(单轮 双面托盘)



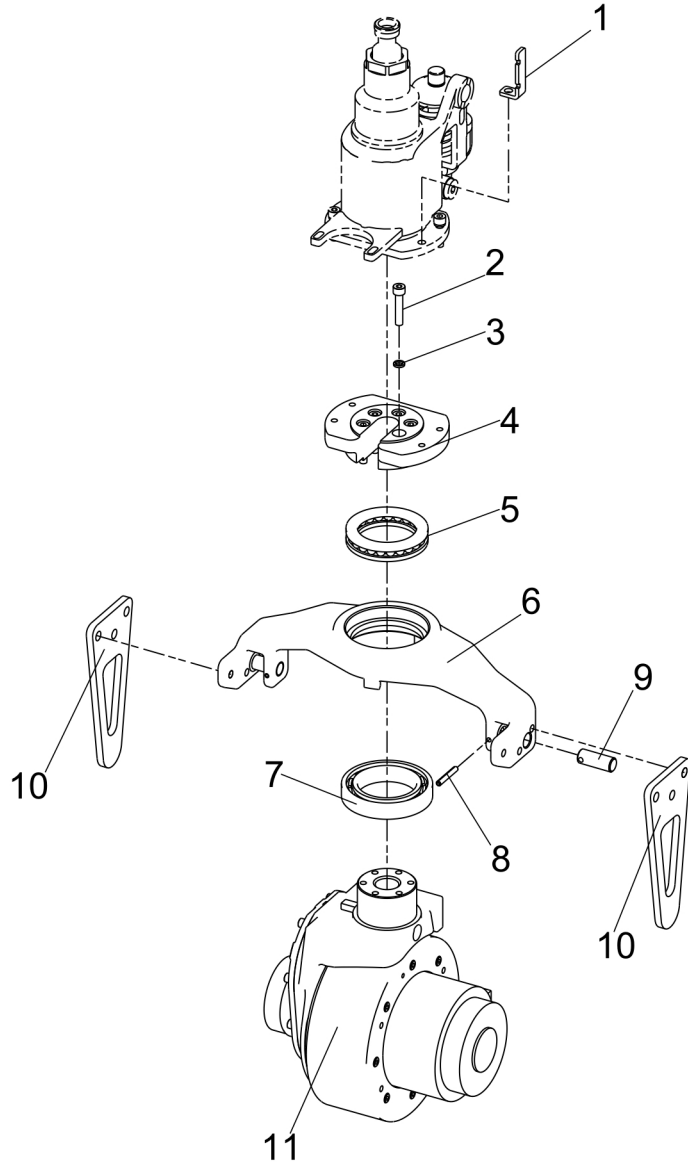
Item 序号	Part No. 代码	Description 名称	Qty 数量	Applied Date 适用日期	Remark 备注
A	20301020799	Connecting Rod Rocker arm Assembly 连杆摇臂组件	2		
1	54002000017	Bushing $\Phi 19 \times \Phi 16 \times 15$	4		03.0691
2	55102000106	Ring Rod (550)	1		33.050.0012
2	55102000108	Ring Rod (685)	1		33.050.0013
3	54001000003	Bushing $\Phi 28 \times \Phi 25 \times 27$	2		03.04422
4	30501050008	Round Pin $\Phi 5 \times 30$	4		03.0305
5	50101160009	Shaft	2		40.14.052
6	55502000003	Push Rod Bracket	2		40.14.048
7	30301220002	Nut M22 $\times 1.5$	2		03.0286
8	55501000186	Push Rod Welding	2		
9	54002000024	Bushing $\Phi 19 \times \Phi 16 \times 12$	4		03.0451
10	50101160004	Shaft	2		40.11.038
11	30501050003	Round Pin $\Phi 5 \times 35$	4		03.0303
12	54001000009	Bushing $\Phi 23 \times \Phi 20 \times 16.5$	4		03.0453
13	55103000006	Wheel Bracket	2		40.11.037-2
14	50101200004	Shaft	2		40.11.036
15	50301200019	Washer	Req.		03.0950
16	50101200019	Shaft	2		30.01.3629
17	30701020007	Bearing 6204	4		03.90.057
18	51241000132	Loading Wheel	2		
19	20301020800	Single Wheel linkage wheel Frames	2		
20	51108000016	Roller	2		40.11.041

1.6 Cover Assembly
外罩总成



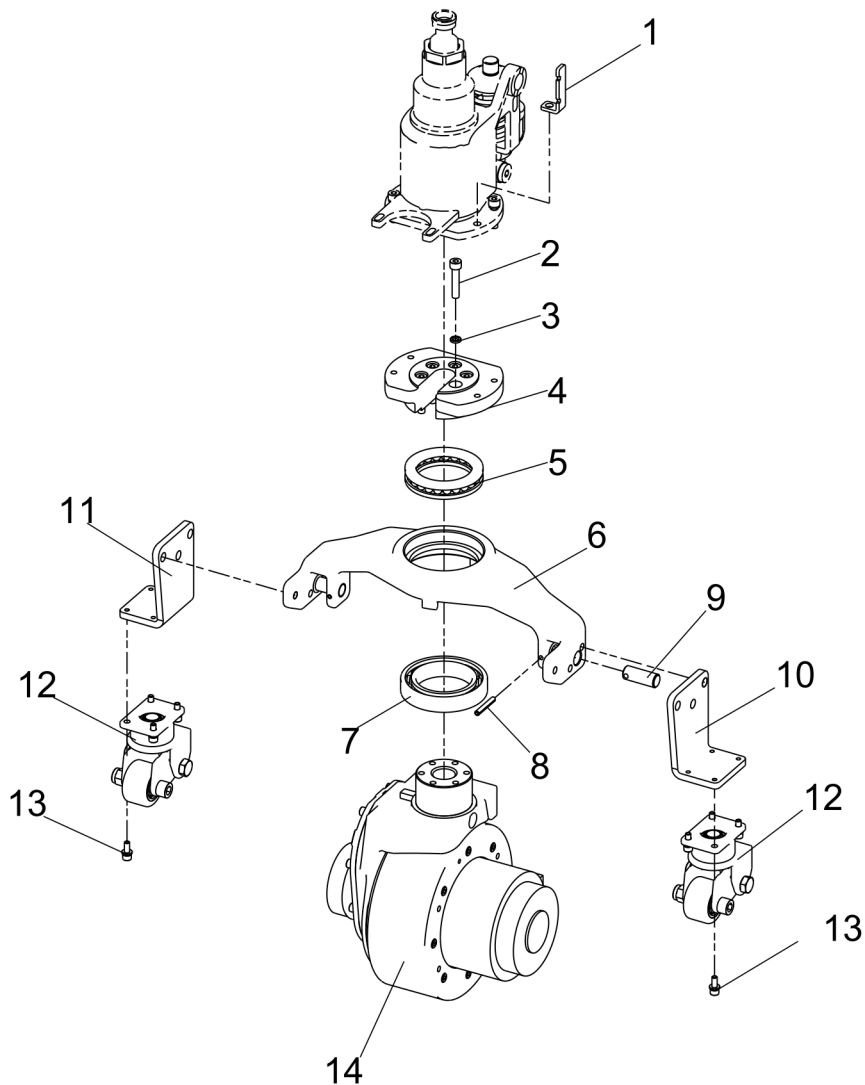
Item 序号	Part No. 代码	Description 名称	Qty 数量	Applied Date 适用日期	Remark 备注
1	54302000185	Cover 电机罩	1		02. FGJ. 34473
2	30211050003	Screw M5×12 螺钉	4		03. 02261
3	20201000906	Plate R 安装板右	1		40. 18. 002
4	20201000905	Plate L 安装板左	1		40. 18. 001
5	30201100018	Screw M10×25 螺钉	6		03. 1051
6	20201000922	Driving Cover 驱动罩	1		40. 16. 004
6	20201000923	Driving Cover (For Caster Assembly) 驱动罩(带辅助轮)	1		40. 16. 001

2.101 Driving System
驱动系统



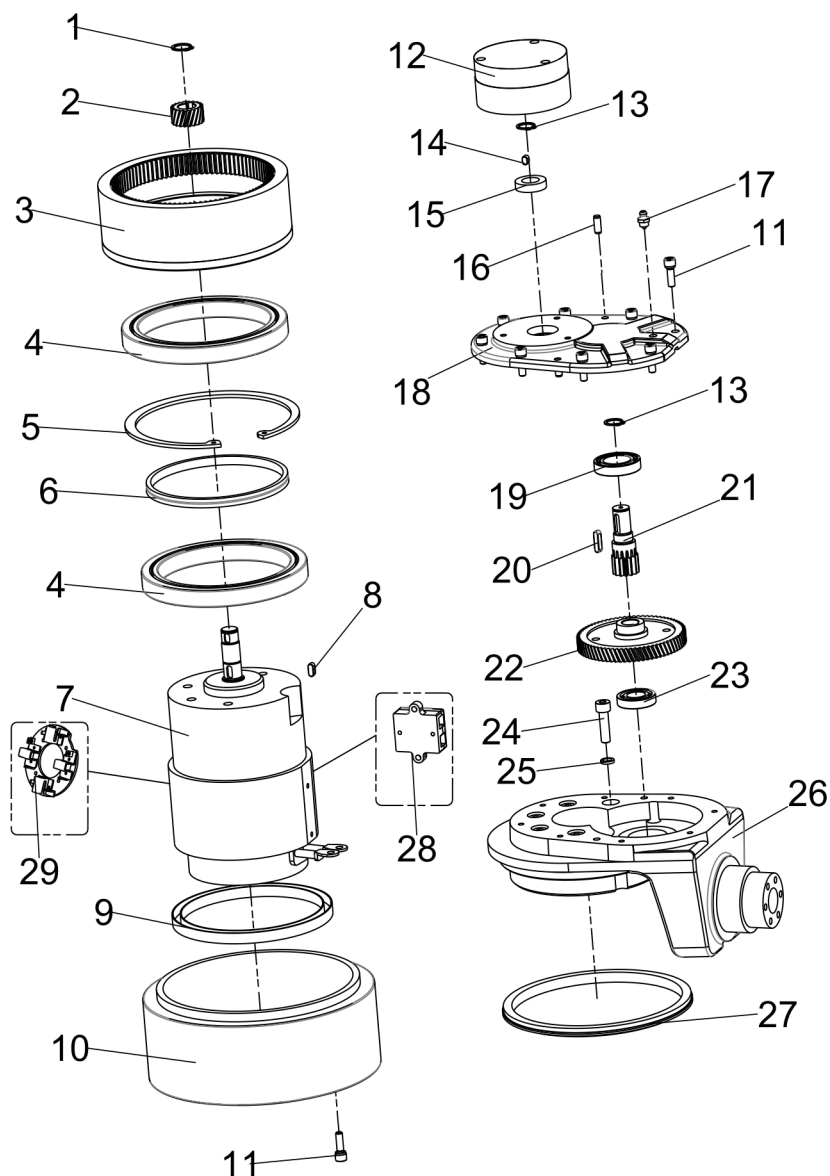
Item 序号	Part No. 代码	Description 名称	Qty 数量	Applied Date 适用日期	Remark 备注
A	20302020199	Driving System 驱动系统	1		
1	20201000713	Plate 绑线板	1		30.01.3493
2	30201080007	Screw M8×40 螺钉	5		03.01590
3	30411080002	Lock Washer Φ8 弹垫	5		03.0012
4	20201000813	Plate 驱动夹紧板	1		40.16.003
5	30704065001	Bearing 51113 轴承	1		03.90.0121
6	55111000005	Bridge 承载桥	1		40.16.002
7	30701065002	Bearing 6013 轴承	1		03.90.091
8	30501050009	Round Pin 5×40 弹性圆柱销	2		03.0306
9	50101160009	Shaft 小轴	2		40.14.052
10	20201001174	Support 平衡支架	2		30.46.0063
11	01 52101000052	Driving Assembly 驱动总成	1	-250213	02.QD.0287
11	02 52101000113	Driving Assembly 驱动总成	1	250213-	

2.201 Driving System(For Caster Assembly)
 驱动系统(带辅助轮)



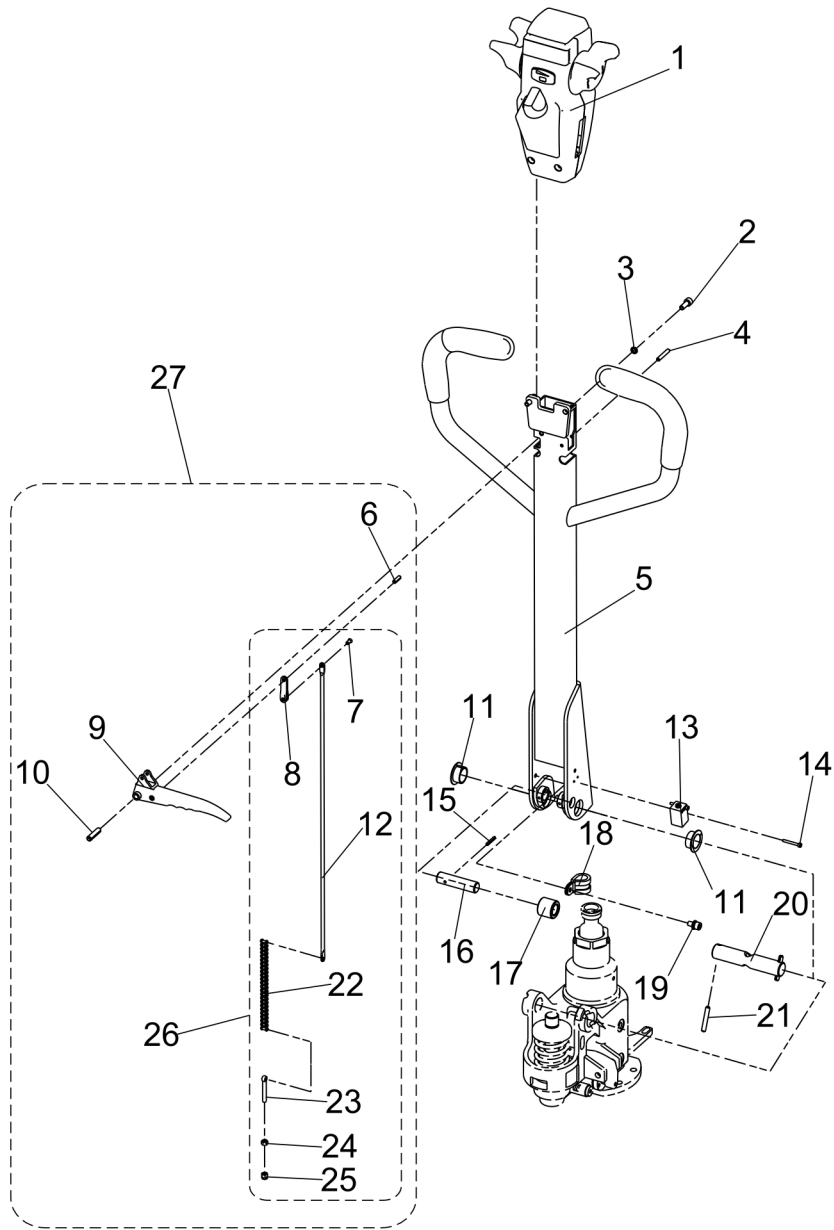
Item 序号	Part No. 代码	Description 名称	Qty 数量	Applied Date 适用日期	Remark 备注
A	20302020200	Driving System 驱动系统	1		
1	20201000713	Plate 绑线板	1		30.01.3493
2	30201080007	Screw M8×40 螺钉	5		03.01590
3	30411080002	Lock Washer Φ8 弹垫	5		03.0012
4	20201000813	Plate 驱动夹紧板	1		40.16.003
5	30704065001	Bearing 51113 轴承	1		03.90.0121
6	55111000005	Bridge 承载桥	1		40.16.002
7	30701065002	Bearing 6013 轴承	1		03.90.091
8	30501050009	Round Pin 5×40 弹性圆柱销	2		03.0306
9	50101160009	Shaft 小轴	2		40.14.052
10	20201000925	Support L 平衡支架左	1		
11	20201000926	Support R 平衡支架右	1		
12	20101020003	Caster Assembly 辅助轮组件	2		81.005.023
13	30201060037	Screw M6×16 螺钉	8		03.0934
14	01 52101000052	Driving Assembly 驱动总成	1	-250213	02.QD.0287
14	02 52101000113	Driving Assembly 驱动总成	1	250213-	

2.301 Driving Assembly
驱动总成



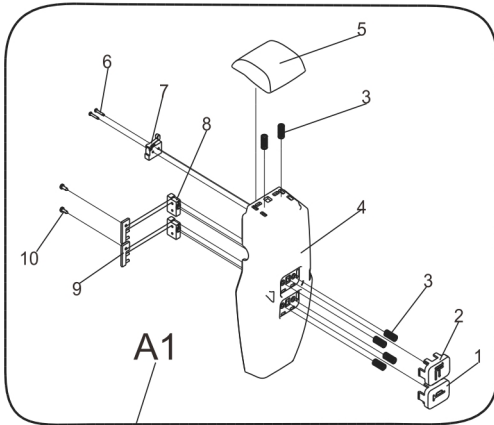
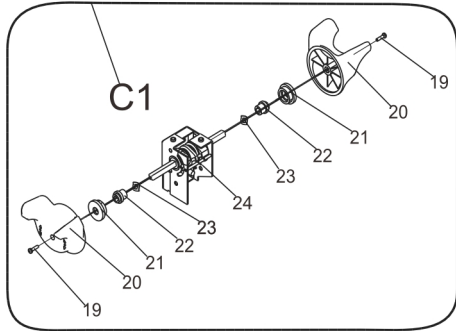
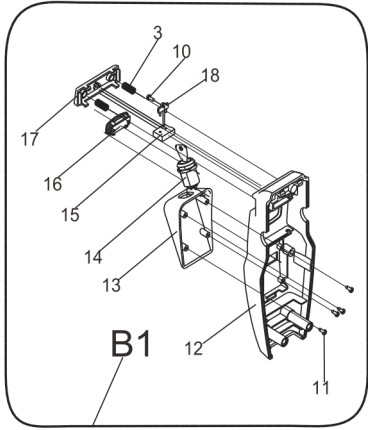
Item 序号	Part No. 代码	Description 名称	Qty 数量	Applied Date 适用日期	Remark 备注
A 01	52101000052	Driving Assembly 驱动总成	1	-250213	02.QD.0287
A 02	52101000113	Driving Assembly 驱动总成	1	250213-	
1	30421160001	Cir clip For Shaft Φ16 轴用挡圈	1		03.0062
2	52202120001	Driving Gear 主动斜齿轮	1		02.01.00702
3	52201150005	Internal Gear 内齿轮	1		02.01.00684
4	30701120003	Bearing 61824 轴承	2		02.01.006810
5	30421000002	Cir clip For Hole Φ150 孔用挡圈	1		03.0709
6	52105000040	Spacer 隔套	1		02.01.9294
7	70402000022	Motor 电机	1		02.DJ.00850
8	30601050003	Flat Key Pin 平键销	1		03.0716
9	30802128001	Oil Seal 油封	1		02.01.3703
10	51241000104	Driving Wheel 驱动轮	1		02.QDL.0272
11	30201060003	Screw M6×20 螺钉	16		03.1180
12	55704000001	Brake Assembly 刹车总成	1		02.01.3596
13	30421150001	Cir clip For Shaft Φ15 轴用挡圈	2		03.0061
14	30601050005	Flat Key Pin 平键销	1		03.0975
15	30802016001	Oil Seal 油封	1		03.0719
16	30501060003	Cylindrical Pin Φ6×16 圆柱销	2		03.0439
17	30821008001	Grease Fitting 黄油嘴	1		03.0506
18	52105000041	Gearbox Cover 箱盖	1		02.01.210707
19	30701025001	Bearing 61905 轴承	1		03.90.075
20 01	30601050004	Flat Key Pin 平键销	1	-250213	03.0717
20 02	30601050006	Flat Key Pin 平键销	1	250213-	
21 01	52201150006	Transmission Gear 传动齿轮	1	-250213	02.01.00701
21 02	52201150011	Transmission Gear 传动齿轮	1	250213-	
22 01	52202120004	Driven Gear 被动斜齿轮	1	-250213	02.01.00703
22 02	52202120013	Driven Gear 被动斜齿轮	1	250213-	
23 01	30701017001	Bearing 16003 轴承	1	-250213	03.90.074

3.102 Operating Handle Assembly
操作手柄组件



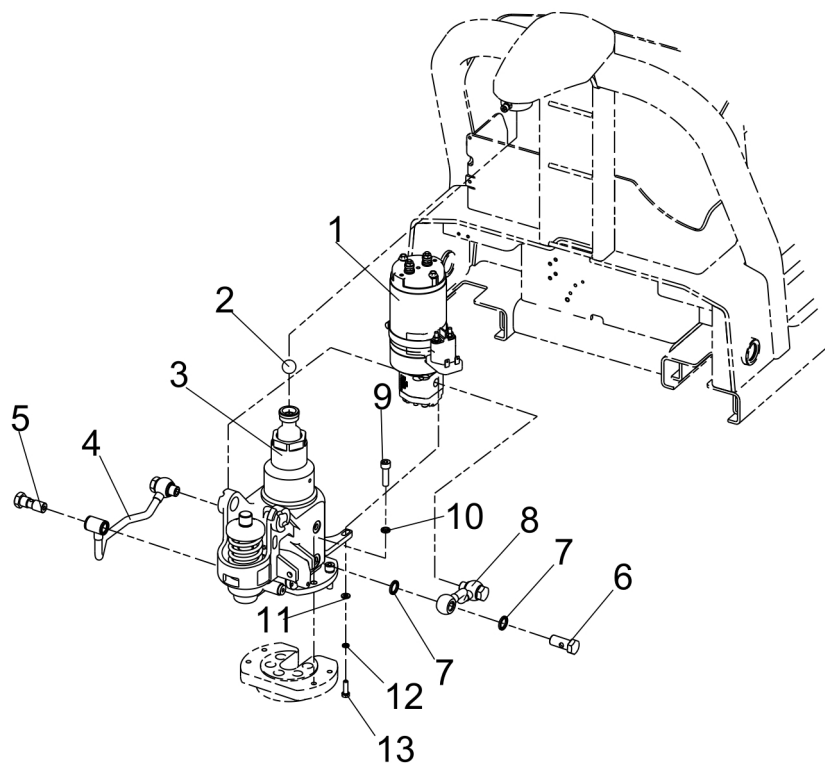
Item 序号	Part No. 代码	Description 名称	Qty 数量	Applied Date 适用日期	Remark 备注
A	20302020201	Operating Handle Assembly 操作手柄组件	1		
1	01 71501000014	Control Pod Assembly 手柄头总成	1	-240905	77700000390
1	02 71501000143	Control Pod Assembly 手柄头总成	1	240905-	
2	30201060020	Screw M6×16 螺钉	2		03.0147
3	30411060002	Lock Washer Φ6 弹垫	2		03.0011
4	30501040006	Round PinΦ4×30 弹性圆柱销	1		03.03101
5	55221000001	Control Handle 手柄杆	1		30.20.0010
6	30501040008	Round PinΦ4×16 弹性圆柱销	1		03.0312
7	30511040008	Pin ShaftΦ4×8 销轴	1		03.0703
8	55222000010	Connecting Board 连板	1		30.01.3268
9	55222000037	Knob 拉手	1		30.01.3270
10	30501060007	Round PinΦ6×30 弹性圆柱销	1		03.0440
11	54001000001	BushingΦ23×Φ20×10 带肩复合套	1		03.0692
12	55222000049	Pull Rod 拉杆	1		
13	70109000004	Proximity Switch 接近开关	1		19.1052
14	30201030004	Screw M3×25 螺钉	2		03.01301
15	30501030004	Round PinΦ3×22 弹性圆柱销	1		03.0702
16	50101150001	Shaft 压轴	1		40.14.008
17	51108000018	Pressing Roller 下压滚子	1		40.14.009
18	54101000039	Clamp 卡箍	1		03.0601
19	30201060037	Screw M6×16 螺钉	1		03.0934
20	50101200015	Shaft 转动轴	1		40.14.010
21	30501050003	Round PinΦ5×35 弹性圆柱销	2		03.0303
22	53102000032	Chain 链条	1		
23	55222000002	Eye Bolt 带孔螺栓	1		30.01.3272
24	30301050002	Nut M5 螺母	1		03.0255
25	30311050001	Nut M5 螺母	1		03.02441
26	20371020025	Pull Rod Chain Assembly 拉杆链条组件	1		02.LT.3511

3.201 Control Pod Assembly
手柄头总成



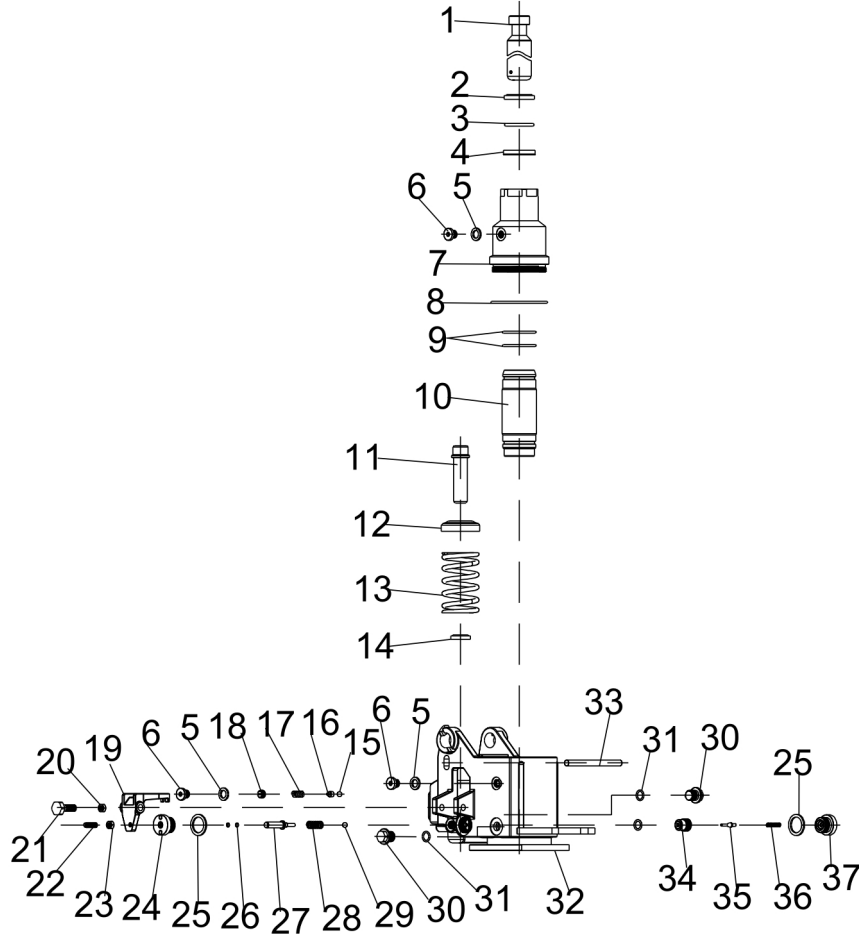
Item 序号	Part No. 代码	Description 名称	Qty 数量	Applied Date 适用日期	Remark 备注
A	01	Control Pod Assembly 手柄头总成	1	-240905	77700000390
A	02	Control Pod Assembly 手柄头总成	1	240905-	
A1		Upper Cover 手柄上盖组件	1		
1		Horn Button 喇叭按键板	1		02. SB. PJ. 0004
2		Rising Button 上升按键板	1		02. SB. PJ. 0005
3		Spring 7×16 压缩弹簧	8		02. SB. PJ. 0010
4		Upper Cover 手柄上盖	1		02. SB. PJ. 0029
5		Switch 急反开关按板	1		02. SB. PJ. 0003
6		Screw ST2.2×13 螺钉 ST2.2×13	2		02. SB. PJ. 0011
7		Micro Switch 微动开关	1		02. SB. PJ. 00027
8		Micro Switch 微动开关	2		70103000009
9		Micro Switch Card 微动开关安装卡	2		02. SB. PJ. 0006
10		Screw ST2.9×9.5 螺钉 ST2.9×9.5	3		02. SB. PJ. 0012
B1		Lower Cover Assembly 下盖组件	1		
11		Screw ST3×16 螺钉 ST3×16	4		
12		Lower Cover 手柄下盖	1		
13		Key Box 钥匙安装板	1		02. SB. PJ. 0017
14		Key Switch Assembly 钥匙开关总成	1		
15		Micro Switch 微动开关	1		
16		Meter 电量表	1		
17		Mode Button 模式开关按板	1		02. SB. PJ. 0015
18		Micro Switch Card 模式微动开关安装板	1		02. SB. PJ. 0016
C1	01	Accelerator Assembly 加速器组件	1	-240905	
C1	02	Accelerator Assembly 加速器组件	1	240905-	
19		Screw M3×12 螺钉 M3×12	2		03. 05364
20		Accelerator Knob 加速器旋钮	2		02. SB. PJ. 0027
21		Shaft Jacket 轴外套	2		02. SB. PJ. 0025
22	01	Shaft Sleeve 轴内套	2	-240905	02. SB. PJ. 0024

4.101 Hydraulic System
 液压系统



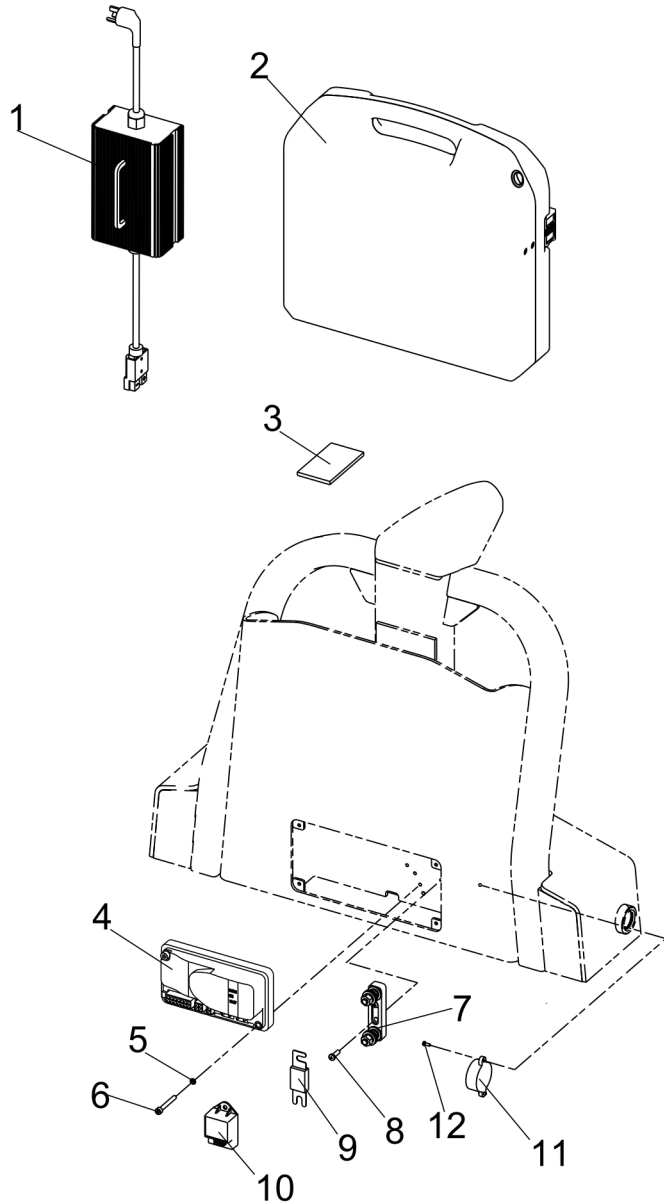
Item 序号	Part No. 代码	Description 名称	Qty 数量	Applied Date 适用日期	Remark 备注
1	01	40401024074 Power Unit Assembly 动力单元组件	1	-250321	02.DLDY.3454
1	02	40401024003 Power Unit Assembly 动力单元组件	1	250321-	
2		56015000006 Steel Ball 钢珠	1		03.07391
3		40402000007 Lifting Cylinder Assembly 电动油缸	1		02.YG.3716
4		40121000107 Lifting Tubing 起升油管	1		02.YYL.3868
5		40204000004 Hollow Bolt 空心螺栓	1		30.44.062
6		40204000011 Hollow Bolt 空心螺栓	3		02.01.30810
7		30803014001 Gasket Seal Φ14 组合密封垫	8		03.0482
8		40121000042 Inlet Pipe 进油管	1		02.YYL.2331
9		30201080006 Screw M8×30 螺钉	4		03.01571
10		30411080002 Lock Washer Φ8 弹垫	4		03.0012
11		30401060001 Flat Washer Φ6 平垫	2		03.00512
12		30411060002 Lock Washer Φ6 弹垫	2		03.0011
13		30101060011 Bolt M6×20 螺栓	2		03.0410

4.3 Lifting Cylinder
起升油缸



Item 序号	Part No. 代码	Description 名称	Qty 数量	Applied Date 适用日期	Remark 备注
A	40402000007	Lifting Cylinder Assembly 电动油缸	1		02. YG. 3716
1	40320000227	Plunger Lever 柱塞杆	1		
2	40321350002	Dust Ring 防尘圈	1		02. 01. 9210
3	40320000252	O-Ring 0型圈	1		
4	40323350001	Seal Ring 密封圈	1		02. 01. 9146
5	30803010001	Gasket Φ10 密封垫	6		03. 0480
6	40320000228	Plug Screw 螺塞	6		
7	40320000229	Outer Cylinder 外缸	1		
8	40320000251	O-Ring 0型圈	1		
9	40320000250	O-Ring 0型圈	2		
10	40320000230	Inner Cylinder 内缸	1		
11	40320000231	Pump Core 泵芯	1		
12	40320000232	Gland 压盖	1		
13	40320000233	Spring 弹簧	1		
14	40321350004	Dust Ring 防尘圈	1		
15	40320000234	Steel Ball 钢球	1		
16	40320000235	Safety Seat 安全阀座	1		
17	40320000236	Relief Valve Spring 安全阀弹簧	1		
18	40320000237	adjusting Screw 调节螺钉	1		
19	40320000238	Switch Plate 开关板	1		
20	30301080001	Nut 螺母	1		03. 0258
21	30101080021	Screw 螺钉	1		03. 0672
22	30221060014	Screw 螺钉	1		03. 1162
23	30301060001	Nut 螺母	1		03. 0257
24	40320000239	Cooper Nut 铜螺母	1		
25	30803020001	Gasket Φ20 密封垫	2		03. 0485
26	30801011001	O-Ring 0型圈	2		03. 0816
27	40320000240	Mandrel 顶杆	1		

5.101 Electrical System
电气系统



Item 序号	Part No. 代码	Description 名称	Qty 数量	Applied Date 适用日期	Remark 备注
1	70412010327	Asia Charger (24V5A) 亚标充电器	1		
1	70412010204	U. S Charger (24V5A) 美标充电器	1		
1	70412010017	Asia Charger (24V10A) 亚标充电器	1		02. CDQ. 3408
1	70412010018	EU Charger (24V10A) 欧标充电器	1		02. CDQ. 3407
1	70412010019	U. S Charger (24V10A) 美标充电器	1		02. CDQ. 3437
1	70412010021	U. K Charger (24V10A) 英标充电器	1		02. CDQ. 3438
1	70412010026	Charger (24V10A) 澳标充电器	1		
1	70412010149	Asia Charger (24V15A) 亚标充电器	1		
1	70412010161	EU Charger (24V15A) 欧标充电器	1		
1	70412011041	U. K Charger (24V15A) 英标充电器	1		
1	70412011020	Charger (24V15A) 澳标充电器	1		
1	70412010187	Asia Charger (24V30A) 亚标充电器	1		
1	70412010207	U. S Charger (24V30A) 美标充电器	1		
1	70412011017	EU Charger (24V30A) 欧标充电器	1		
1	70412010227	U. K Charger (24V30A) 英标充电器	1		
2	70503240003	Battery 24V/20Ah 锂电池	1		02. XDC. 3415
2	70503240020	Battery 24V/30Ah 锂电池	1		02. XDC. 3423
2	70503240039	Battery 24V/40Ah 锂电池	1		02. XDC. 3416
2	70503240047	Battery 24V/60Ah 锂电池	1		02. XDC. 3417
3	20201002295	Patch 贴片	Req.		
4	01 70302000002	Controller 控制器 1212P-2507	1	-240905	02. KZQ. 2167
4	02 70302000123	Controller 控制器 1212C-2571	1	240905-	
4	70302000113	Controller 控制器 D2P-2101	1		
5	30411050001	Lock Washer Φ5 弹垫	2		03. 00132
6	30201050022	Screw M5×40 螺钉	2		
7	70711000001	Fuse Stand 保险丝座	1		02. 01. 3057
8	30211050003	Screw M5×12 螺钉	2		03. 02261
9	70701000002	Fuse 保险丝	1		19. 03450

零件目录最终由制造商保留解释权！

The power of interpretation of this part catalogue will be preserved by the manufacturer eventually!